

## Hydraulic Rotary Hammer

**Type 2 2406 0010**

**Spare part list**

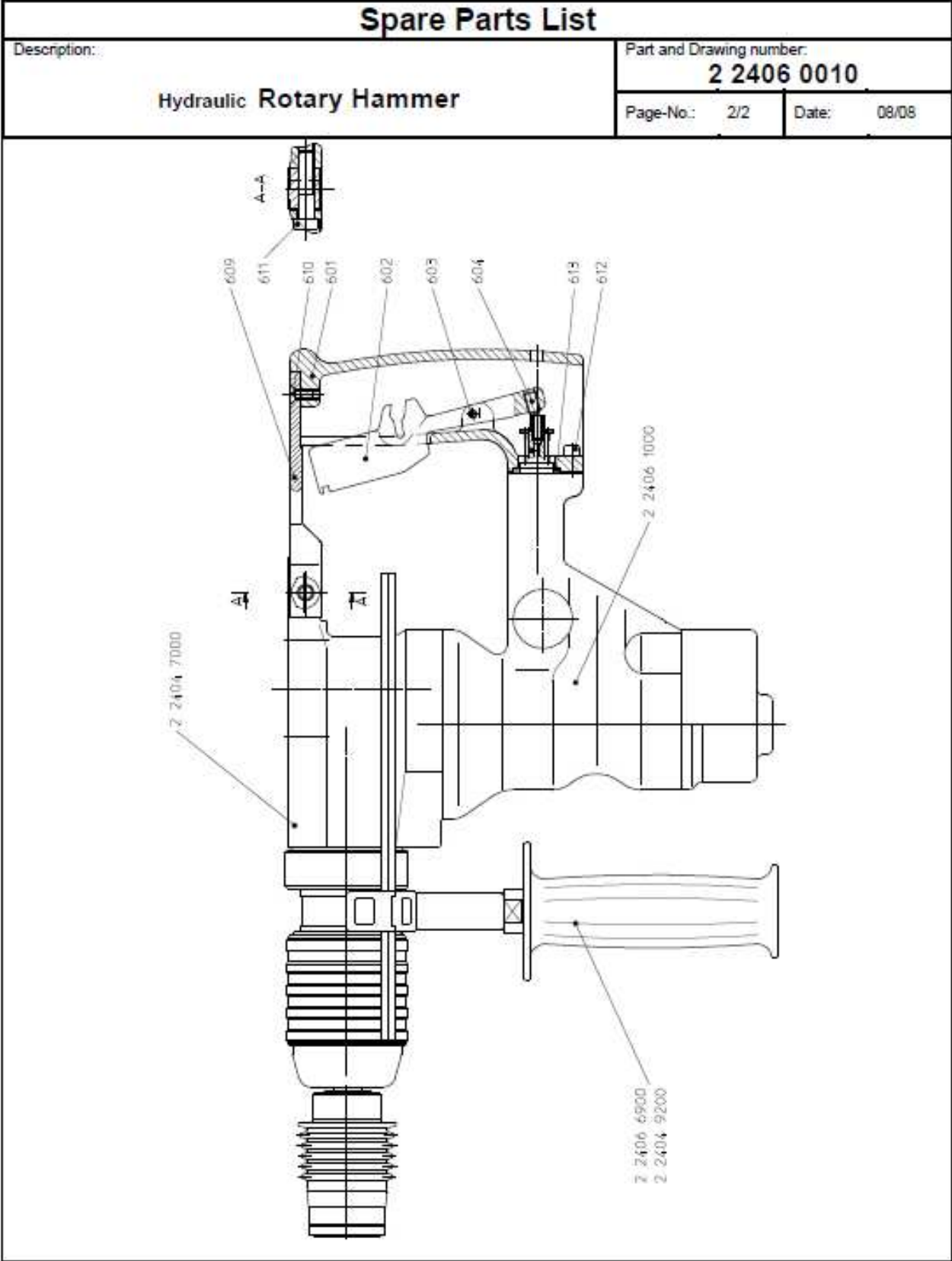


Illustration can differ from original



# KW Hydraulik GmbH

Kabelwerkzeuge und Werkzeuge für die Montage und Demontage



# KW Hydraulik GmbH

Kabelwerkzeuge und Werkzeuge für die Montage und Demontage

<b>Spare Parts List</b>					
Description: <b>Output Unit, Assy.</b>				Part and Drawing number: <b>2 2404 7000</b>	
				Page-No.: 1/3	Date: 10/05
Item	Qty.	Description	Part and drawing no.		Remarks
401	1	Gearbox housing	2 2404 4010		
402	1	Tool holder	2 2404 8100		
403	1	Sliding sleeve, Assy.	2 2404 7130		
404	1	Bushing	2 2404 7140		
405	1	Feather key	9 1506 9240		
407	1	Shifter sleeve, Assy.	2 2404 8940		
408	1	Cylinder, Assy.	2 2404 8920		
409	1	Impact piston	2 2404 4540		
410	1	Nut	2 2404 8240		
411	1	End cap	2 2404 7010		
412	1	Bevel gears, Assy.	2 2404 4400	*	
413	1	Piston	2 2404 4520		
414	1	Gudgeon pin, Assy.	2 2404 4980	*	
415	1	Cover	2 2404 4090		
416	1	Crankshaft	2 2404 4550		
417	2	Roller	2 2404 4570		
418	1	Toothed gear	2 2404 4040		
419	1	Bushing	2 2404 8080		
420	1	Output shaft	2 2404 8090		
422	1	Output shaft housing	2 2404 8010		
421	1	Sealing	2 2404 4190	*	
423	1	Connecting rod	2 2404 4530		
424	1	Radial shaft sealing	9 1905 0540	*	
425	1	Slip clutch, Assy.	2 2404 4920		
426	1	O-Ring	9 1901 3500	*	
427	1	O-Ring	9 1901 3290	*	
428	1	O-Ring	9 1921 2140	*	
429	1	Compression spring	9 1803 4190		
430	1	Feather key	9 1501 1140		
431	4	Roller	2 2404 4580		
432	1	O-Ring	9 1901 5940	*	
433	1	Wiping seal	9 1908 1780	*	
434	1	Spring	9 1807 0210		
435	1	Feather key	9 1501 1040		



# KW Hydraulik GmbH

Kabelwerkzeuge und Werkzeuge für die Montage und Demontage

<b>Spare Parts List</b>	
Description:  <div style="text-align: center; font-weight: bold; font-size: 1.2em;">Output Unit, Assy.</div>	Part and Drawing number: <div style="text-align: center; font-weight: bold; font-size: 1.2em;">2 2404 7000</div>
	Page-No.: 3/3      Date: 05/08

aligned with UHL-Plus

Attention on assembling of Pos:424, 456 and 433 III

411 403 429 427 431 404 432 407 433 434 424 408 409 410 436 401 412 413 414 453 452 437 415  
 438 426 421 416 439 440 418 449  
 451  
 454  
 455  
 423 430  
 444 448 444 444  
 450 425 445 412 435 448 448  
 427 441 428 402 456 419 442 443 417 420 422 446 405

# KW Hydraulik GmbH

Kabelwerkzeuge und Werkzeuge für die Montage und Demontage

<b>Spare Parts List</b>					
Description:  <b>Motor</b>				Part and Drawing number: <b>2 2406 1000</b>	
				Page-No.: 1/3	Date: 08/08
Item	Qty.	Description	Part and drawing no.		Remarks
100		Hydraulic motor	9 5501 0130		
104		Radial shaft seal	9 1925 0450		
106		Thrust washer	9 1024 0360		
107		Thrust bearing	9 1024 0370		
108		Distance spacer	9 5501 0040		
109		Spool drive	9 5501 0140		
110		Drive shaft	9 5501 0150		
111		O-Ring	9 1921 1240	*	
112		Spacer plate	9 5501 0070		
113		Geroler Assembly	9 5501 0180		
114		Spool drive	9 5501 0090		
115		Bearing	9 1029 0530		
151	1	Housing, Assy.	2 2406 1910		with item 115
152	1	Motor cover, Assy.	2 2407 1930		with item 172
153	1	Cover, Assy.	2 2406 1940		
154	1	Pinion shaft	2 2406 4170		
155	1	Rim of the gear	2 2406 4020		
156	1	Pinion	3 8837 4360		
157	2	Planet carrier, Assy.	3 8837 4920		
158	6	Planetary wheel	3 8837 4140		
159	6	Needle cage	9 1015 0790		
160	2	Grooved ball bearing	9 1001 0050		
161	1	Washer	2 2406 4150		
162	1	Snap ring	9 1702 0030		
163	1	Snap ring	9 1703 0040		
164	2	Dowel pin	9 1619 1350		
165	3	Fillister head screw	9 1110 4010		
166	3	Sealing	9 1903 1250		
167	2	Cylindrical pin	9 1619 0450		
168	1	Driver shaft	2 2406 1050		



# KW Hydraulik GmbH

Kabelwerkzeuge und Werkzeuge für die Montage und Demontage

<b>Spare Parts List</b>					
Description: <b>Motor</b>				Part and Drawing number: <b>2 2406 1000</b>	
				Page-No.: 2/3	Date: 08/08
Item	Qty.	Description	Part and drawing no.		Remarks
169	5	Fillister head screw	9 1110 4160	*	
170	2	O-Ring	9 1901 2710		
171	2	Screw plug	9 3401 1060		
172	2	Threaded pin	9 1140 5080		
173	2	Fillister-head screw	9 1110 4030		
301	1	Governor sleeve	2 1317 3310		
302	1	Gland	5 1220 3050		
303	1	Washer	9 3302 0030		
304	1	Compression Spring	9 1803 3590		
305	1	Locking plate	9 1706 0140		
	1	Valve, assy.	2 1317 3300		item 307-326
307	1	Snap ring	9 1703 0260		
308	1	Fillister- head screw	9 1110 2090		
309	1	Washer	9 3302 0150		
310	1	Control piston	2 1317 3320		
311	1	Spring seat	2 1317 3070		
312	1	Pin	2 1317 3110		
314	1	Bushing	2 1317 3090		
315	1	Guide	2 1317 3100		
317	1	Compression spring	9 1803 1700		
318	1	Snap ring	9 1706 0180		
319	1	O-Ring	9 1901 3290	*	
320	1	O-Ring	9 1901 9800	*	
321	1	O-Ring	9 1901 2550	*	
322	1	Screw	9 1148 3030		
323	1	O-Ring	9 1901 6020	*	
326	1	O-Ring	9 1901 2080	*	



# KW Hydraulik GmbH

Kabelwerkzeuge und Werkzeuge für die Montage und Demontage

<b>Spare Parts List</b>		
Description:  <div style="text-align: center; font-weight: bold; font-size: 1.2em; margin-top: 10px;">Motor</div>	Part and Drawing number: <div style="text-align: center; font-weight: bold; font-size: 1.2em; margin-top: 5px;">2 2406 1000</div>	
	Page-No.: 3/3	Date: 08/08

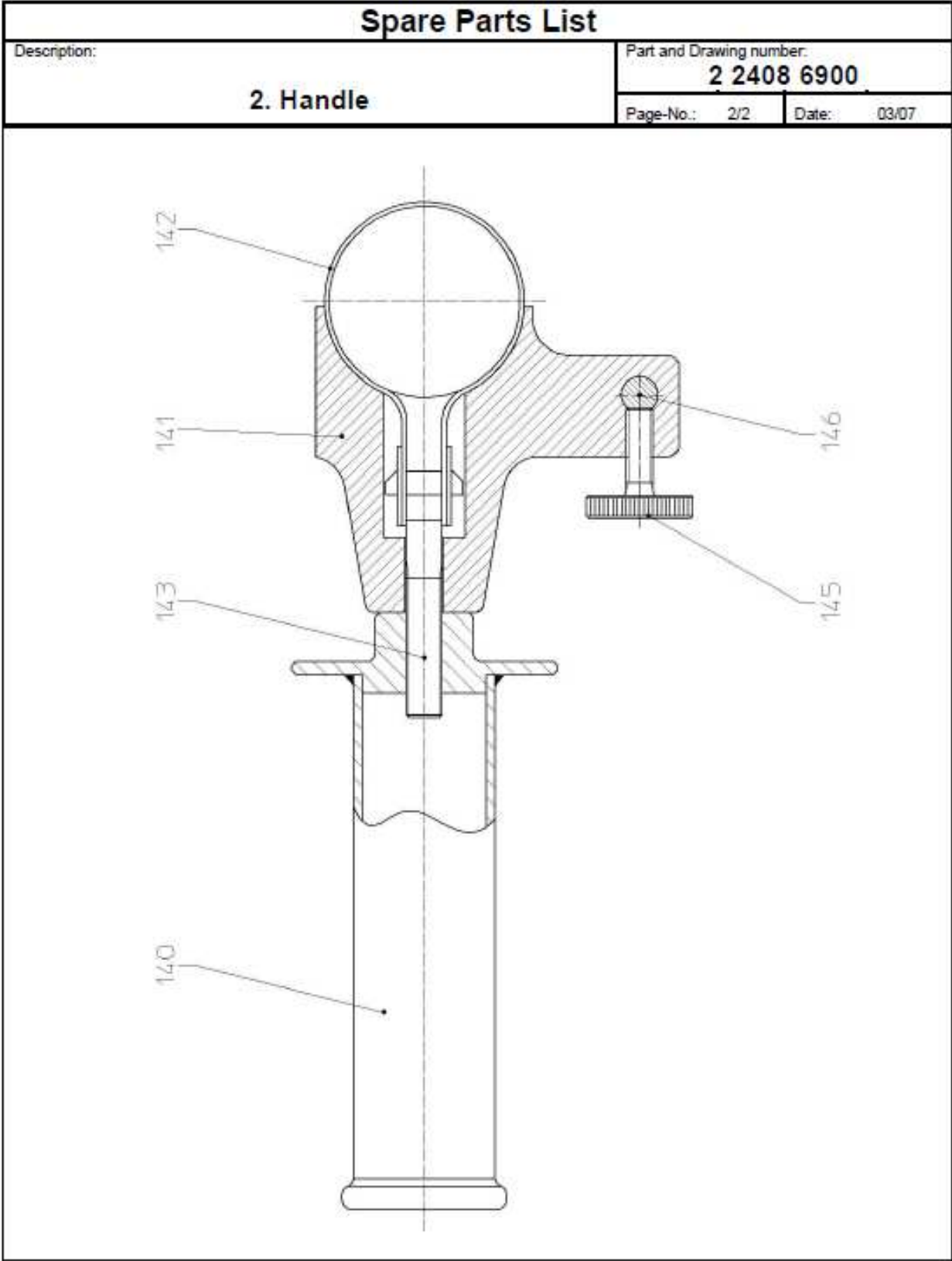
  

The drawing consists of two views of a hydraulic motor assembly. The upper view is a detailed cross-section of the motor, showing internal components like the rotor, stator, and various seals and bearings. It is annotated with numerous callout numbers from 100 to 173. The lower view is a side profile of the motor, showing its external shape and mounting points. It is labeled with 'TANK' and 'PRESSURE' with arrows indicating the direction of flow, and includes callout numbers 171 and 173.



# KW Hydraulik GmbH

Kabelwerkzeuge und Werkzeuge für die Montage und Demontage





# KW Hydraulik GmbH

Kabelwerkzeuge und Werkzeuge für die Montage und Demontage

<b>Spare Parts List</b>	
Description: <b>Cooling Pipe, Assy.</b>	Part and Drawing number: <b>2 2404 9200</b>
	Page no.: 2/2      Date: 07/05

The drawing shows a vertical assembly of a cooling pipe. It consists of a long threaded section at the bottom, a central body with a hexagonal nut-like feature on the right, and a shorter threaded section at the top. Five callout lines point to specific parts: 1 points to the bottom thread, 2 to the lower seal area, 3 to the main body, 4 to the upper seal area, and 5 to the top thread.

# KW Hydraulik GmbH

Kabelwerkzeuge und Werkzeuge für die Montage und Demontage

---

## KW Hydraulik GmbH

Köppelsdorfer Str. 132  
D-96515 Sonneberg  
Germany

Tel.: +49 (3675) 421980  
Fax: +49 (3675) 4219811

Email:  
[info@kw-hydraulik.de](mailto:info@kw-hydraulik.de)

Internet:  
[www.kw-hydraulik.de](http://www.kw-hydraulik.de)  
[www.stanley-hydraulik.de](http://www.stanley-hydraulik.de)  
[www.doa-hydraulik.de](http://www.doa-hydraulik.de)  
[www.edilgrappa-hydraulik.de](http://www.edilgrappa-hydraulik.de)